

MAMMOTH FANS

COMMERCIAL & INDUSTRIAL SERIES



Exclusively distributed by Beacon Lighting



CONTENTS

OVERVIEW	4
LATEST TECHNOLOGY	5
MODELS	
COMMERCIAL SERIES	7
Features & Benefits	8 - 9
Applications	10
Installation	11
Commercial Specifications	13
Commercial II Specifications	14
INDUSTRIAL SERIES	17
Features & Benefits	18 - 19
Applications	20
Installation	21
Specifications	22
WARRANTY	24
CUSTOM ORDERS	24
CONTACT	24



OVERVIEW

Mammoth Fans is proud to introduce a new series of fans that are set to revolutionise commercial cooling. The Mammoth Fan range features world class Permanent Magnet Synchronous Motor (PMSM) technology and precision-led aerodynamic design in Mammoth proportions.

With energy efficiency, design and ultimate performance in mind, Mammoth Fans have developed the latest in High Volume Low Speed (HVLS) ceiling fans for large commercial and industrial spaces to suit Australian conditions. Whether it is large outdoor alfresco spaces, industrial warehouses, agricultural buildings, gymnasiums, halls or public spaces, Mammoth Fans has the perfect solution for your project. Experience the cooling breeze from Mammoth Fans.

With market leading features of supreme efficiency, low noise, minimal maintenance, easy installation and advice backed by a 5 year warranty, Mammoth Fans are here to keep you cool.

There are 3 series in the Mammoth Fan range, each including 2 sizes.

COMMERCIAL SERIES

Super High Volume Low Speed (SHVLS) single phase 240V ceiling fan in silver in two sizes: 4.2m & 3m.

COMMERCIAL II SERIES

Super High Volume Low Speed (SHVLS) single phase 240V ceiling fan in silver or black in two sizes: 3m & 2.5m.

INDUSTRIAL SERIES

Super High Volume Low Speed (SHVLS) single phase 240V ceiling fan in silver in two sizes: 7.3m & 5.5m.



LATEST TECHNOLOGY

The Mammoth Fan features world class PMSM (Permanent Magnet Synchronous Motor) technology and precision-led aerodynamic design in Mammoth proportions.

THE POWER OF PMSM TECHNOLOGY

PMSM technology is one of the most advanced examples of fan engineering on the market today. Compared with traditional brush and AC motors, the Permanent Magnet Synchronous Motor provides a larger, more comfortable air volume that is both dynamic and quiet.

The airflow from Mammoth Fans is considered dynamic as it feels like a natural breeze increasing and decreasing the air volume, rather than other fans and air conditioners which can feel artificial and consistent blowing of air which can be uncomfortable.

Remarkably energy efficient, the Mammoth Fan range comes in various sizes to suit multiple projects, varying speed options and a super efficient design with next to no maintenance.

HOW DOES THE PMSM WORK?

PMSM is an electromagnetic device produced by a permanent magnet as a medium for the conversion of mechanical energy and electromagnetic energy to each other. In addition, the amazingly efficient Permanent Magnet Synchronous brushless direct drive motor on the Mammoth Industrial Series Fan delivers maximum performance when it comes to speed control accuracy, torque, density balance, low noise and greater energy efficiency.

Mammoth Fans also boast a bigger range of varying speed options. Other industrial fans that traditionally have a 7.3m blade diameter will have a speed range of 20-50 RPM. With the PMSM technology and the supreme quality of the Japanese designed controller the Mammoth Industrial Series has broadened the speed range from 5-57 RPM, which enables you to tailor the level of cooling comfort.

WHAT IS HVLS?

HVLS stands for High Volume, Low Speed.

A HVLS fan is a type of mechanical fan greater than 2.1m in diameter. They move slowly and distribute large amounts of air at low rotational speed, hence the name 'high volume, low speed'.

The motor efficiency of other HVLS fans in the market not using PMSM technology is around 78%, where as Mammoth Industrial Series Fans are able to achieve 86% efficiency.

The Mammoth Range of fans are classified as SHVLS – Super High Volume, Low Speed. When it comes to ultimate efficiency in fans, it's hard to beat the technology used in the Mammoth Fans.





COMMERCIAL SERIES

With two models in the Mammoth Commercial Fan Series and Mammoth Commercial Fan II these are the perfect solution for ultimate energy efficient cooling of commercial and residential spaces in a beautiful streamlined design.

The Commercial Series are Super High Volume, Low Speed (SHVLS) fans delivering maximum results in a wide range of applications. These fans use world class PMSM technology for larger air volume and a cooler more comfortable space.

FEATURES

- Huge air movement up to 7550m³/min
- 1-7°C effective body cooling depending on speed selection
- Dynamic air circulation in large spaces
- Creates a cool, comfortable working environment
- Reduces moisture/humidity in the air
- Mixes hot & cold air

The Commercial Series delivers maximum results in a wider range of applications such as:

- Large format retail
- Public spaces
- Restaurants
- Gyms
- Large residential areas
- Sheds and garages

5 YEAR WARRANTY

Every Mammoth Fan is thoroughly inspected and tested before being released for sale. In addition to any warranty rights or conditions under statutory regulations, Mammoth Fans warrant all of its ceiling fans against defective workmanship and faulty materials for 5 years from the date of purchase. Mammoth Fans undertake, at its option, to repair or replace, free of charge, each product or part when the appropriate conditions are met.





FEATURES & BENEFITS

Compared to similar size High Volume Low Speed (HVLS) fans, the Mammoth Commercial Series SUPER High Volume Low Speed (SHVLS) fan saves more than 30% energy due to the advanced motor design.

In the Australian market, other HVLS fans adopt traditional gear technology and multiple gears which inevitably lead to large losses in energy transmission versus the direct drive of the Mammoth Fan motor.

THE CONVERSION RATE FROM ELECTRIC ENERGY TO KINETIC ENERGY COMPARISON

Mammoth SHVLS motor efficiency 86%

Traditional HVLS motor efficiency 78%

5 MAMMOTH FANS CAN DO THE JOB OF 70 SMALLER FANS

To effectively cover a 2000m² area, you would normally need up to 70 traditional ceiling fans. But with the Mammoth Commercial Series, only 5 fans are needed. A 4.2m diameter Mammoth Commercial Series Fan, with only 400 watts of power, can cover an area approximately 400m².*

Let's assume that we operate five Mammoth Commercial Series Fans for 4 years, 8 months per year (due to the seasons) at 10 hours per day. The total running time would be 10,000hrs per fan.

The total energy required for the 5 Mammoth Fans would be 20,000 kWh over the 4 year period. In comparison, the smaller fans operating at 60 watts per fan for the same amount of time, but with 70 units, to generate a smaller airflow, you would use over twice as much power at 42,000 kWh.

From this example, we can clearly see that Mammoth Fans save 22,000Kw per hour, making it 52% more efficient than the small fans, with a higher airflow.

LIGHT WEIGHT

With a low profile motor of only 300mm high, the versatile Mammoth Fans Commercial Series brings style and efficiency to a magnitude of applications. The Commercial Series, weighing less than 42kg, dramatically reduces the load bearing on the structure. This is perfect for spaces that impose strict size and weight requirements.

ADVANCED SAFETY FEATURES

The Mammoth Fan is on top of its game when it comes to adhering to strict safety standards, giving you peace of mind knowing that no expense has been spared.

Our advanced safety features include:

- Stable for life with the use of forged steel and aircraft grade aluminium
- Multiple safety supports in every structure
- Primary and secondary locking mechanism on blades to ensure safe operation over years of use
- Strict metal fatigue tests to ensure long-term safety and stability

SUPER QUIET

So powerful and yet so quiet, the advanced PMSM makes Mammoth Fans one of the first fans to achieve noise levels under 45dB.



NOISE LEVEL (dB)	SHVLS MAMMOTH	HVLS STANDARD
Electromagnetic noise	36	46
Drive noise	20	48
Air flow noise	35	37
TOTAL	40	50.3

LOW MAINTENANCE

Maintaining cooling systems with traditional gear drives can be costly and time consuming. Thanks to the technology of the PMSM, electromagnetic interaction and bearing transmission, the Mammoth Fans are virtually maintenance free, general cleaning is recommended.

* Depending on height, shade and location of area. Contact us for an appropriate design for your site.



APPLICATIONS

With two models in the Mammoth Commercial Fan Series we have the perfect solution for ultimate energy efficient cooling of commercial and residential spaces in a beautiful streamlined design.

SPORTS INDUSTRY

Fitness centres, gyms, swimming pools, athletic training stadiums

ENTERTAINMENT

Restaurants, art galleries, museums, sports/music stadiums, zoos, children's playgrounds, outdoor undercover alfresco dining areas

PUBLIC SPACES

Airports, railway stations, bus terminals

COMMERCIAL PLACES

Exhibition Centres, showrooms, shopping centres, supermarkets, large format retail

BUSINESS

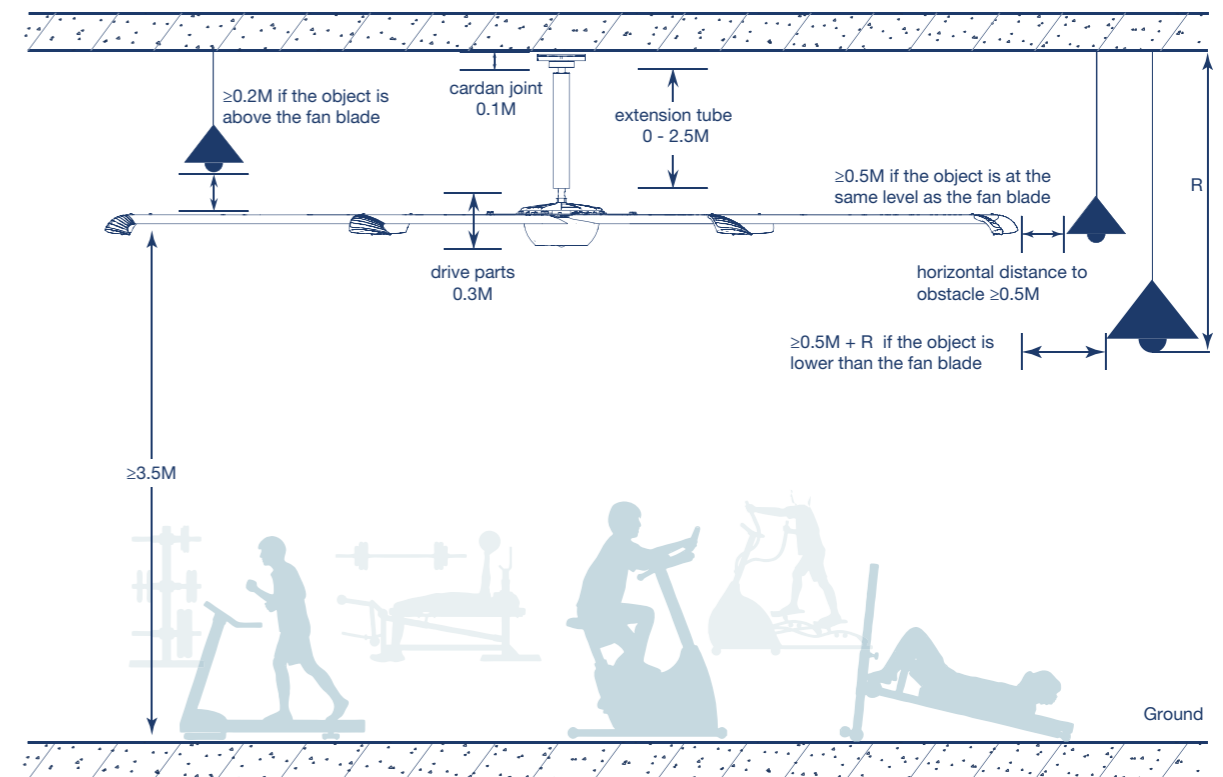
Warehouses, factories, large open plan office spaces, sheds and garages

OTHERS

Atriums, undercover outdoor areas



INSTALLING THE COMMERCIAL FAN



INSTALLATION OPTIONS

1. Contact a local electrician in your area who has previous experience with installing large scale fittings.
2. We can provide you with a recommendation from our 'Preferred Electricians' list.
3. We can install them for you. For further information on installation or to make a purchase, contact us from the below options.

Installation must be arranged by a qualified electrician. We can help you with the design and recommendation of an electrician in your local area who specializes in the installation of Mammoth Fans. Alternatively we can take care of the install process for you and arrange the entire installation. In most cases, clear access and a scissor lift may be required for installation of the Mammoth Commercial Series. All models operate on 240 volt single phase.

CONTACT US

We encourage you to see the fan in operation. Contact us to arrange a viewing appointment of a site near you.

You can email us on info@mammothfans.com.au

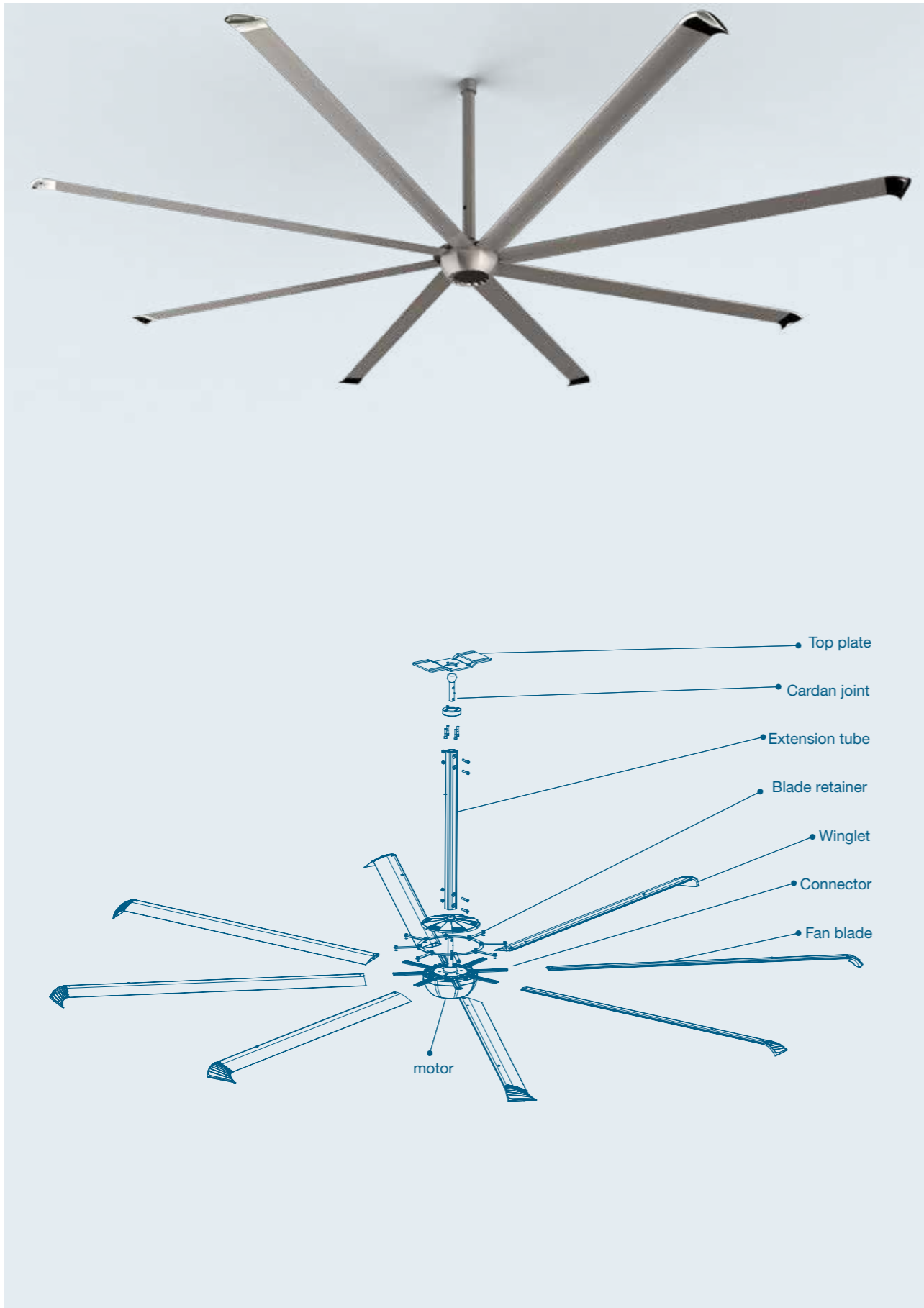
STATE CONTACTS

- VIC** Phone (03) 8415 0277
NSW Phone (02) 9699 7255
QLD Phone (07) 3216 9039
WA Phone (08) 9444 9653
SA Phone (08) 8374 0553

TRADE REPRESENTATIVE

Visit our website www.beaconlighting.com.au and click on the STORE LOCATIONS tab at the top. Find your closest store and click on the 'View store details' link. Here you will see the name of the Store Trade Club Representative and Consultant.





COMMERCIAL SPECIFICATIONS

4.2 METRE

SKU	211402
PRODUCT TYPE	Fans
WIDTH / DIAMETER (MM)	4200
EXTENSION ROD	1000mm (1500mm optional extra)
WIRING CABLE	4 core, 1.5mm, 20m 3 core, 2.5mm, 15m
NO. OF BLADES	8
WARRANTY	5 years from date of purchase
COLOUR	Silver
WEIGHT	41kg
POWER	0.4kw
FAN SPEED CONTROL	80RPM MAX
AIRFLOW (M3/MIN)	7550
CURRENT	Single Phase 240V
INPUT VOLTAGE	Single Phase 240V
FULL LOAD CURRENT	1.8A
NOISE LEVEL	40dB
SUITABLE FOR ALFRESCO	Yes

3 METRE

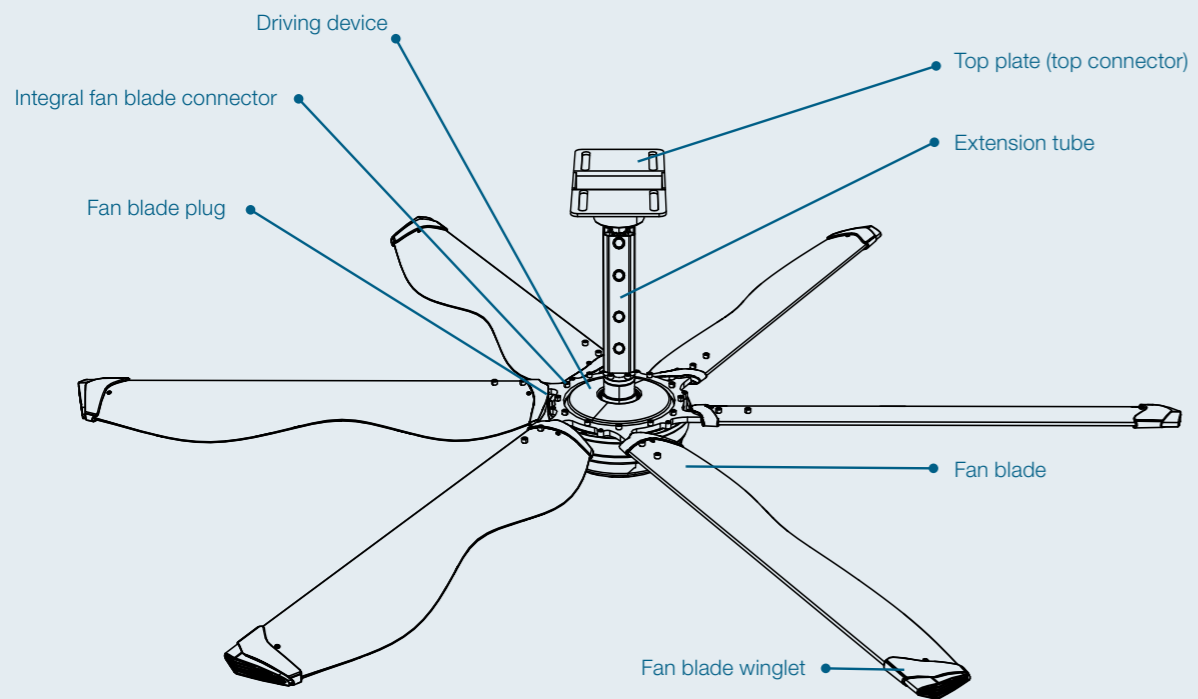
SKU	211403
PRODUCT TYPE	Fans
WIDTH / DIAMETER (MM)	3000
EXTENSION ROD	1000mm (1500mm optional extra)
WIRING CABLE	4 core, 1.5mm, 20m 3 core, 2.5mm, 15m
NO. OF BLADES	8
WARRANTY	5 years from date of purchase
COLOUR	Silver
WEIGHT	35kg
POWER	0.2kw
FAN SPEED CONTROL	100RPM MAX
AIRFLOW (M3/MIN)	5530
CURRENT	Single phase 240V
INPUT VOLTAGE	Single Phase 240V
FULL LOAD CURRENT	1.3A
NOISE LEVEL	40dB
SUITABLE FOR ALFRESCO	Yes



CONTROL BOX

Long lasting, robust,
smart and reliable





COMMERCIAL II SPECIFICATIONS

3 METRE

SKU	211406 / 211407
PRODUCT TYPE	Fans
WIDTH / DIAMETER (MM)	3000
NO. OF BLADES	6
WARRANTY	5 years from date of purchase
COLOUR	Silver / Black
WEIGHT	44kg
POWER	0.2kw
FAN SPEED CONTROL	110RPM MAX
AIRFLOW (M3/MIN)	5150
INPUT VOLTAGE	Single Phase 220-240V
FULL LOAD CURRENT	1A
NOISE LEVEL	40dB
SUITABLE FOR ALFRESCO	Yes

2.5 METRE

SKU	211404 / 211405
PRODUCT TYPE	Fans
WIDTH / DIAMETER (MM)	2500
NO. OF BLADES	6
WARRANTY	5 years from date of purchase
COLOUR	Silver / Black
WEIGHT	44kg
POWER	0.15kw
FAN SPEED CONTROL	130RPM MAX
AIRFLOW (M3/MIN)	1200
INPUT VOLTAGE	Single Phase 220-240V
FULL LOAD CURRENT	0.7A
NOISE LEVEL	40dB
SUITABLE FOR ALFRESCO	Yes



CONTROL BOX

Long lasting, robust,
smart and reliable





INDUSTRIAL SERIES

The power of advanced Permanent Magnetic Synchronous Motor (PMSM) technology – the Mammoth Industrial Series of super charged fans brings its precision-led design and advanced technological features to areas that need efficient and effective cooling.

The Industrial Series from Mammoth Fans are Super High Volume, Low Speed (SHVLS) fans delivering maximum results in a wider range of applications. These fans use world class PMSM technology for larger air volume and a cooler more comfortable space.

FEATURES

- Wind speed 1-4m/s speed regulation
- 1-8°C effective body cooling depending on speed
- Creates the effect of a natural breeze
- Excellent air circulation in a large environment
- Ideal for dehumidification and reducing dampness
- Mixes hot and cold air
- Improves work conditions for employees and in turn improves productivity

5 YEAR WARRANTY

Every Mammoth Fan is thoroughly inspected and tested before being released for sale. In addition to any warranty rights or conditions under statutory regulations, Mammoth Fans warrant all of its ceiling fans against defective workmanship and faulty materials for 5 years from the date of purchase. Mammoth Fans undertake, at its option, to repair or replace, free of charge, each product or part when the appropriate conditions are met.

THE POWER OF ADVANCED PMSM TECHNOLOGY

Mammoth Fans are the perfect blend of precision-led design, functionality and designer form, elevating the look and comfort of any industrial space. With the high-tech PMSM (permanent magnet synchronous motor), the maximum size is up to 7.3 meters. The Mammoth range combines aerodynamic technology, PWM (Pulse-width modulation) which is the method of reducing the average power delivered by an electrical signal, control technology, communication control and industrial design.

The Industrial Series delivers maximum results in a wide range of applications such as:

- Warehouses
- Indoor sports centres
- Activity/play centres
- Transportation terminals
- Commercial sites
- Alfresco dining areas
- Large format retail stores



FEATURES & BENEFITS

Utilizing the latest in Japanese motor technology, you're guaranteed to have years of uninterrupted performance from your Mammoth Fan.

SAVES ENERGY

Mammoth adopts the latest PMSM technology and unique external rotor torque design. Compared with the traditional asynchronous motor, the PMSM eliminates the friction energy consumption within a gear box. With a maximum torque reaching 260N.m, it can output more stable air flow. With outstanding performance, the Mammoth Fan is able to reach 14,800m³ air movement per minute, which exceeds other HVLS fan air volume by more than 30%.

LOW NOISE

With many industrial fans on the market producing a noise level above 50dB, from the common asynchronous motor design, the noise from the motor shell and the friction noise within the gearbox, all of which Mammoth Fans avoids. With the application of the PMSM in the Mammoth Fans, the noise level is reduced to a comfortable 43dB.

MORE VERSATILE

The low profile design of the Mammoth Fan allows for more versatility over other HVLS fans in the market, with a motor height of just 300mm versus others at 800mm above the blade, the Mammoth Industrial range has greater applications for lower ceilings.



FEATURES & BENEFITS

HIGH EFFICIENCY

Due to the advanced technology used in the Mammoth Fans PMSM is able to achieve a much greater efficiency for energy consumed and converted to airflow of the fan, giving the Mammoth Fans an outstanding 'B' level of efficiency in the European standards.



LOW MAINTENANCE

The Mammoth Industrial Series motor does not have a gear box and therefore no significant maintenance is required. Maintaining cooling systems with traditional gear drives can be costly and time consuming. But thanks to the technology of the PMSM, electromagnetic interaction and bearing transmission, plus the advanced air cooled design of the Mammoth motor, simple maintenance of cleaning the blades and checking all support wires, blade bolts are tightened is all the maintenance required. The Mammoth Fan is virtually maintenance free.

DEHUMIDIFICATION & DAMPNESS

Mammoth is designed to mix the entire air space, which helps eliminate moisture with good dispersion and absorption. This greatly improves indoor air quality and obtains a healthy, dry and safe environment. In addition, it can avoid the noise of an air conditioning system and the dampness from evaporative cooling.

NATURAL VENTILATION

In very large enclosed spaces, the choice for ventilation is extremely limited. Warehouse roof ventilators do little for the comfort of personnel at ground level. Air conditioning, especially in poorly insulated sites is not cost effective. The huge Mammoth Industrial Fans will work together with warehouse roof ventilators and side ventilation to create what feels like a natural breeze throughout the entire space. This breeze will improve air quality, reduce heat exhaustion, improve productivity and safety on those hot Australian days.

BODY COOLING

The natural breeze from the Industrial Mammoth Fans promotes the evaporation of the sweat on the body, effectively reducing body temperature by 1-8°C depending on the speed setting. The three-dimensional breeze created by the Mammoth mimics a natural wind effect, which makes the body feel cooler and more comfortable.





APPLICATIONS

The Mammoth Fan is perfect for a wide range of application areas. The super large air volume and coverage area brings a comfortable, natural breeze for a comfortable work environment.

INDUSTRIAL APPLICATION

Logistics and warehousing

SPORTS INDUSTRY

Gymnasiums, indoor sports fields/courts

PLAY/ACTIVITY CENTRE

Large indoor play centres and climbing centres

TRAFFIC HUB

Railway station, bus terminals

COMMERCIAL SITES

Exhibition center, museums, large shopping centres, large format retail sites, hardware/DIY and timber sites

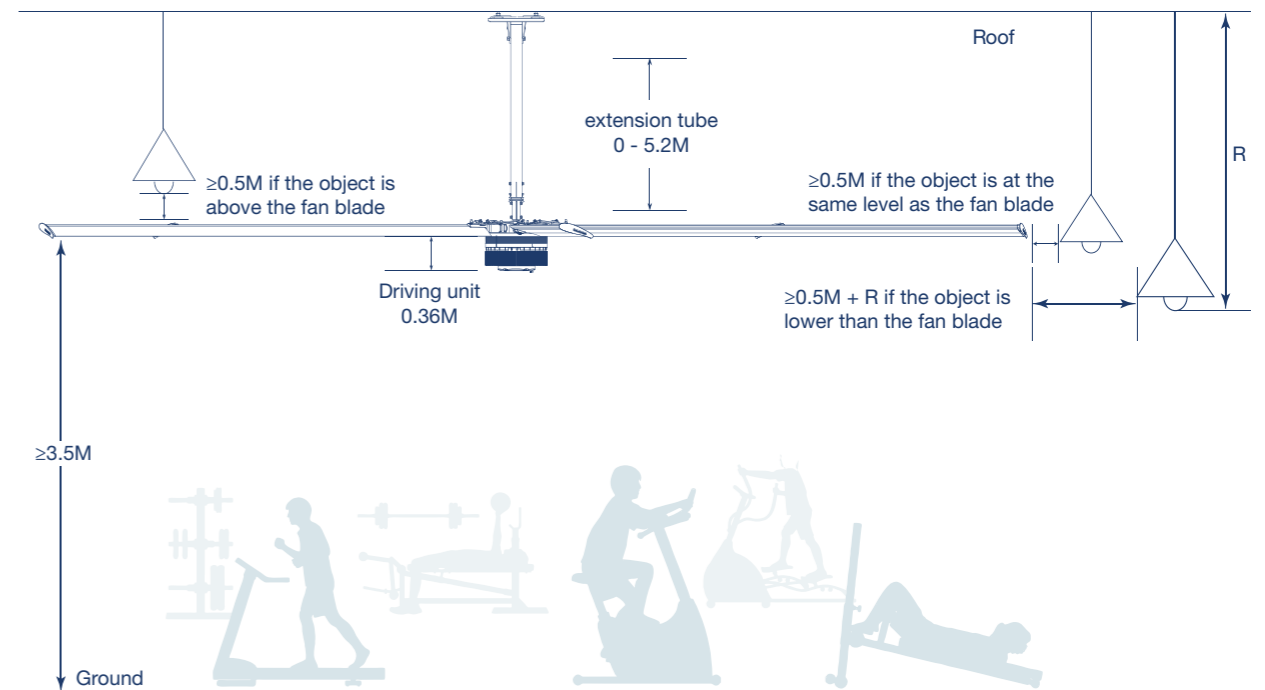
OTHER AREAS

Training and education buildings, outdoor undercover alfresco dining areas

With a motor that is only 300mm high, the versatile Mammoth Industrial Fan brings a huge amount of air movement, style and efficient cooling to industrial spaces all over Australia.



INSTALLING THE INDUSTRIAL FAN



INSTALLATION OPTIONS

1. Contact a local electrician in your area who has previous experience with installing large scale fittings.
2. We can provide you with a recommendation from our 'Preferred Electricians' list.
3. We can install them for you. For further information on installation or to make a purchase, contact us from the below options.

Installation must be arranged by a qualified electrician. We can help you with the design and recommendation of an electrician in your local area. Alternatively we can take care of the install process for you and arrange the entire installation. In most cases, clear access and a scissor lift will be required for the Industrial Mammoth Fans. All models operate on 240 volt single phase.

CONTACT US

We encourage you to see the fan in operation. Contact us to arrange a viewing appointment of a site near you.

You can email us on info@mammothfans.com.au

STATE CONTACTS

- VIC** Phone (03) 8415 0277
NSW Phone (02) 9699 7255
QLD Phone (07) 3216 9039
WA Phone (08) 9444 9653
SA Phone (08) 8374 0553

TRADE REPRESENTATIVE

Visit our website www.beaconlighting.com.au and click on the STORE LOCATIONS tab at the top. Find your closest store and click on the 'View store details' link. Here you will see the name of the Store Trade Club Representative and Consultant.



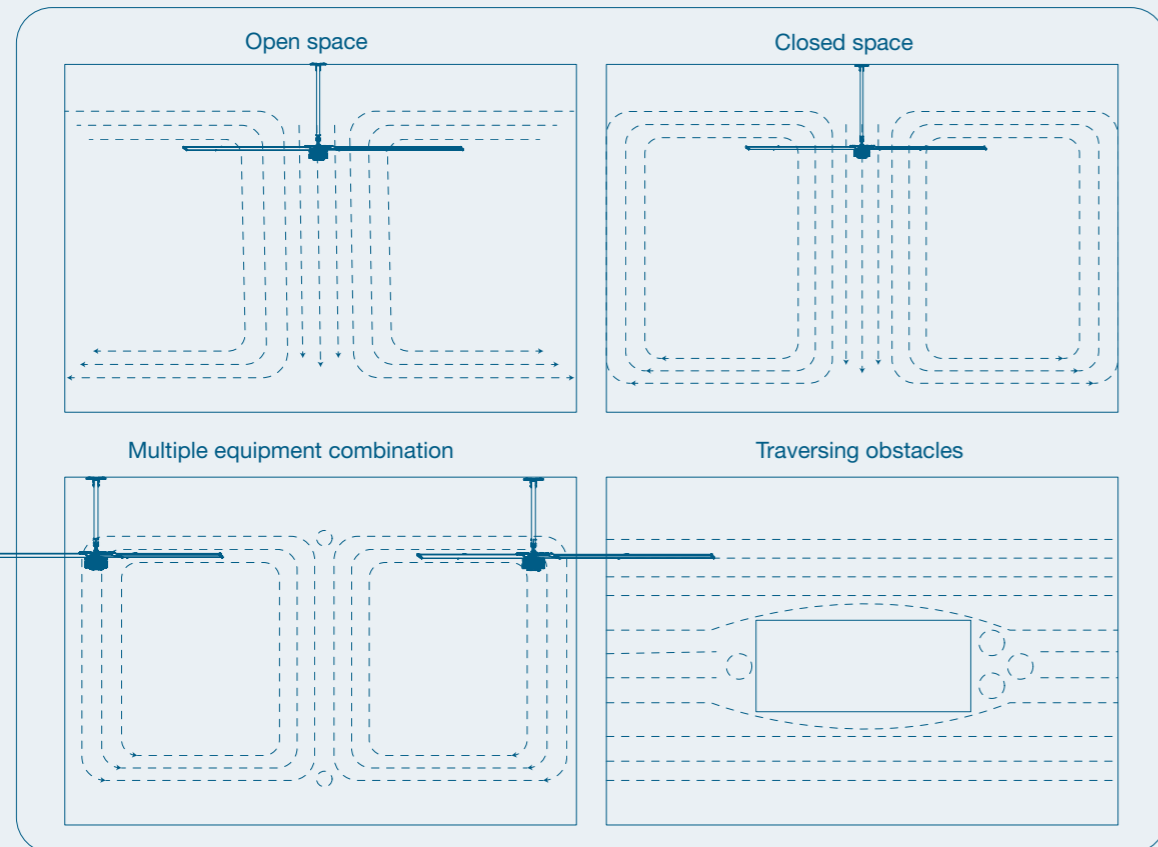
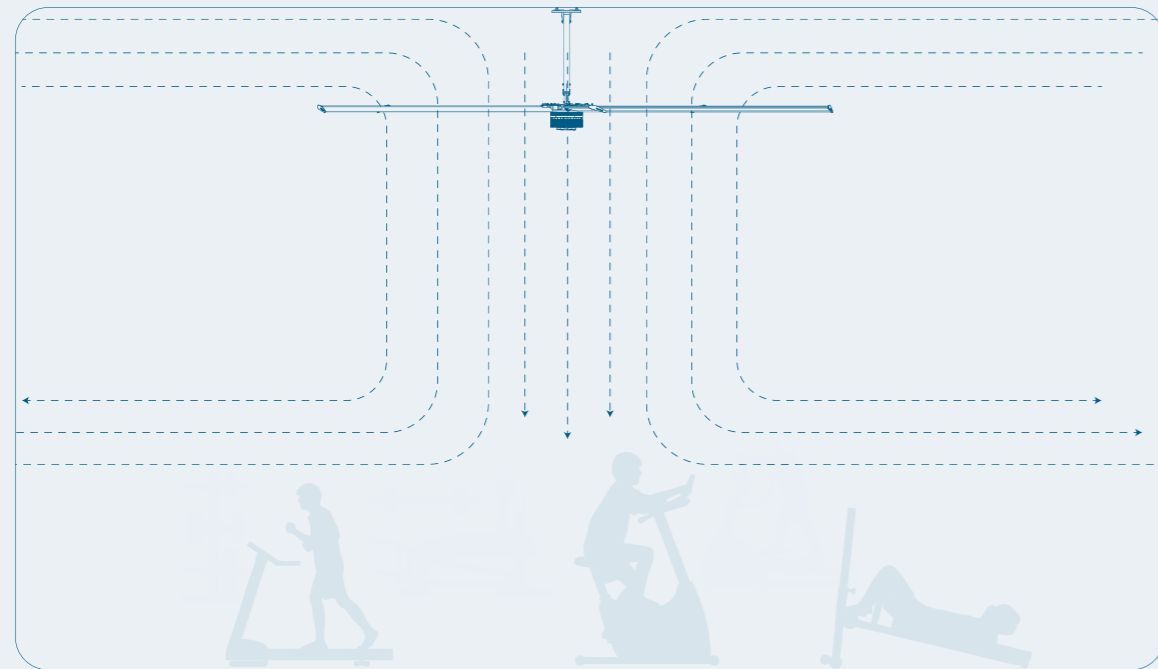
INDUSTRIAL SPECIFICATIONS

7.3 METRE

SKU	211400
PRODUCT TYPE	Fans
WIDTH / DIAMETER (MM)	7300
EXTENSION ROD	1000mm (2000mm, 2200mm optional extras)
WIRING CABLE	4 core, 1.5mm, 20m 3 core, 2.5mm, 15m
NO. OF BLADES	5
WARRANTY	5 years from date of purchase
COLOUR	Silver
WEIGHT	135kg
POWER	1.8kw
FULL LOAD CURRENT	8A
FAN SPEED CONTROL	57RPM MAX
AIRFLOW (M3/MIN)	14800
CURRENT	Single Phase 240V
INPUT VOLTAGE	Single Phase 240V
FULL LOAD CURRENT	10A
NOISE LEVEL	43dB
SUITABLE FOR ALFRESCO	Yes

5.5 METRE

SKU	211401
PRODUCT TYPE	Fans
WIDTH / DIAMETER (MM)	5500
EXTENSION ROD	1000mm (1500mm, 2000mm optional extras)
WIRING CABLE	4 core, 1.5mm, 20m 3 core, 2.5mm, 15m
NO. OF BLADES	5
WARRANTY	5 years from date of purchase
COLOUR	Silver
WEIGHT	114kg
POWER	1.8kw
FULL LOAD CURRENT	8A
FAN SPEED CONTROL	70RPM MAX
AIRFLOW (M3/MIN)	13350
CURRENT	Single Phase 240V
INPUT VOLTAGE	Single Phase 240V
FULL LOAD CURRENT	10A
NOISE LEVEL	43dB
SUITABLE FOR ALFRESCO	Yes



CONTROL BOX

Long lasting, robust, smart and reliable

With trouble shooting options available from the front panel, access to the internals of the controller are rarely required.



WARRANTY

All of the Mammoth COMMERCIAL & INDUSTRIAL Fans come with a 5 YEAR WARRANTY.

Every Mammoth Fan is thoroughly inspected and tested before being released for sale. In addition to any warranty rights or conditions under statutory regulations, Mammoth Fans warrant all of its ceiling fans against defective workmanship and faulty materials for 5 years from the date of purchase. Mammoth Fans undertake, at its option, to repair or replace, free of charge, each product or part thereof on condition that;

Our goods come with guarantees that cannot be excluded under the Australian Consumer Law. You are entitled to a replacement or refund for a major failure and compensation for any other reasonably foreseeable loss or damage. You are also entitled to have the goods repaired or replaced if the goods fail to be of acceptable quality and the failure does not amount to a major failure.

- The fan or relevant part has not been subjected to misuse, neglect, or been involved in an accident.
- The repairs are not required as a result of normal wear and tear.
- The product was installed by a licensed electrical contractor and to the guidelines outline in the manual.
- A copy of the original receipt of purchase is presented.

CUSTOM ORDERS

IF YOU ARE AFTER SOMETHING A LITTLE MORE INDIVIDUAL?

Mammoth Commercial and Industrial Fans come in standard metallic silver, however if you have a special project and require a unique colour, talk to us about special custom colours.

Contact us on **1800 602 243** to find out more.



CONTACT US

We encourage you to see the fan in operation. Contact us to arrange a viewing appointment of a site near you.

You can email us on info@mammothfans.com.au

STATE CONTACTS

VIC Phone (03) 8415 0277

NSW Phone (02) 9699 7255

QLD Phone (07) 3216 9039

WA Phone (08) 9444 9653

SA Phone (08) 8374 0553

TRADE REPRESENTATIVE

Visit our website www.beaconlighting.com.au and click on the STORE LOCATIONS tab at the top. Find your closest store and click on the 'View store details' link. Here you will see the name of the Store Trade Club Representative and Consultant.

MAMMOTH FANS SUPPORT CENTRE

For any maintenance and support enquiries please contact the Mammoth Fans support team on **1800 602 243**







www.mammothfans.com.au